

Masport®

ROTARY MOWERS

SERIES 19

Part Number

478963

Model

550ST Combo SP

Engine

B&S Series 675

Month and Year of First Manufacture - April 2014

Serial Number Range: 7803620 ~ 7913162

Part Number

478963

Model

600ST Combo SP

Engine

B&S Series 675EXi

Month and Year of First Manufacture - October 2017

Starting Serial Number - 8203440



Issue A.1
ECN 03596
Jan 2018 PB
REF # 778963S

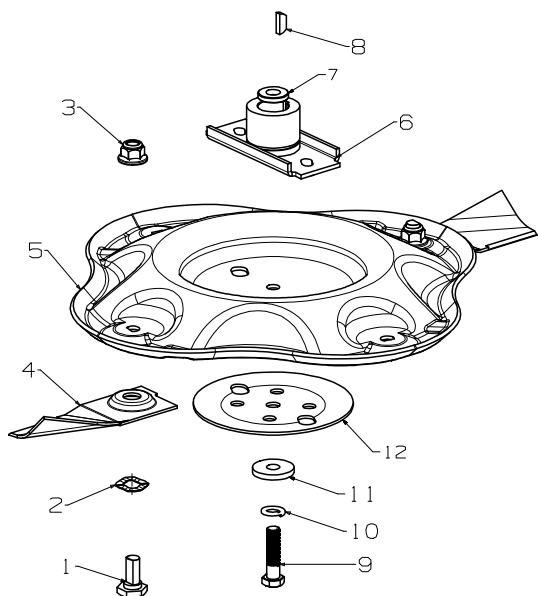


S19 600ST Combo SP

Masport

Issue A.1
ECN 03596
Jan 2018 PB
REF # 778963S

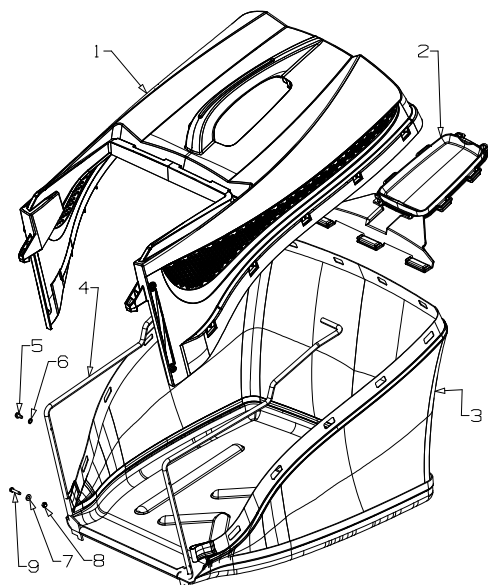
485mm Disc Blade Wavy Assembly



Item	Part No	Description	Qty
1	581707	Bolt- Pivot M10 x 22	2
2	580693	Washer, Wavy 13.4 x 24.2	2
3	503672	Nut, M10 Hex Nyloc Flange	2
4	983529	Blade- Quick Cut, 485mm EURO	2
5	783314	Disc Blade- Wavy	1
6	031640	Driver Assy- Blade, 25mm	1
7	573585	Spacer- Blade Driver 22 x 4	1
8	503363	Key, Woodruff - 5/8"x3/16"x1/4"	1
9	503543	Bolt; Hex NF 3/8" x 1.5 NYG8	1
10	500204	Washer, Spring 3/8"	1
11	503855	Washer, Flat 9.75 x 30 x 4.0	1
12	567332	Plate- Stiffener, Disc Blade Assy	1

Blade & Bolt Sets

- 783690 **Bolt Set (2)**
Includes Items: 1, 2, 3
- 767538 **Blade-Quick Cut (2) E485mm**
Includes Items: 1, 2, 3, 4



773401 Catcher Assy- 19" AERO (Includes items 1 ~ 9)

Item	Part No	Description	Qty
1	573373	Catcher, Top 19/21"	1
2	573370	Catcher, Top Insert	1
3	573375	Catcher, Bottom 19/21"	1
4	573841	Catcher, Frame 19" SP	1
5	503834	Screw, S/T M4x10 Hex	2
6	501024	Washer- Spg 4	2
7	503593	Washer, Flat 4 x 9 x1.0	2
8	503875	Nut, M4 Hex Nyloc	2
9	501023	Screw, Set M4 x 20 Hex	2

NOT ILLUSTRATED

503054	Tie- Nylon, Cable	3	573198	Decal, Hsg "Self Propelled"	1
567682	Certificate of Conformity S19 600ST SP	1	579654	Decal, Hsg S19 600	1
569262	Decal, Height Combo 19"	1	579758	Decal, Noise S19 600 96db	1
569297	Decal, Date Noise Decal	1	580778	Stop- Rope	1
569324	Owner Manual, Euro	1	582049	Decal, Flap-Caution	1
571100	Decal, "Power Drive" Euro	1			

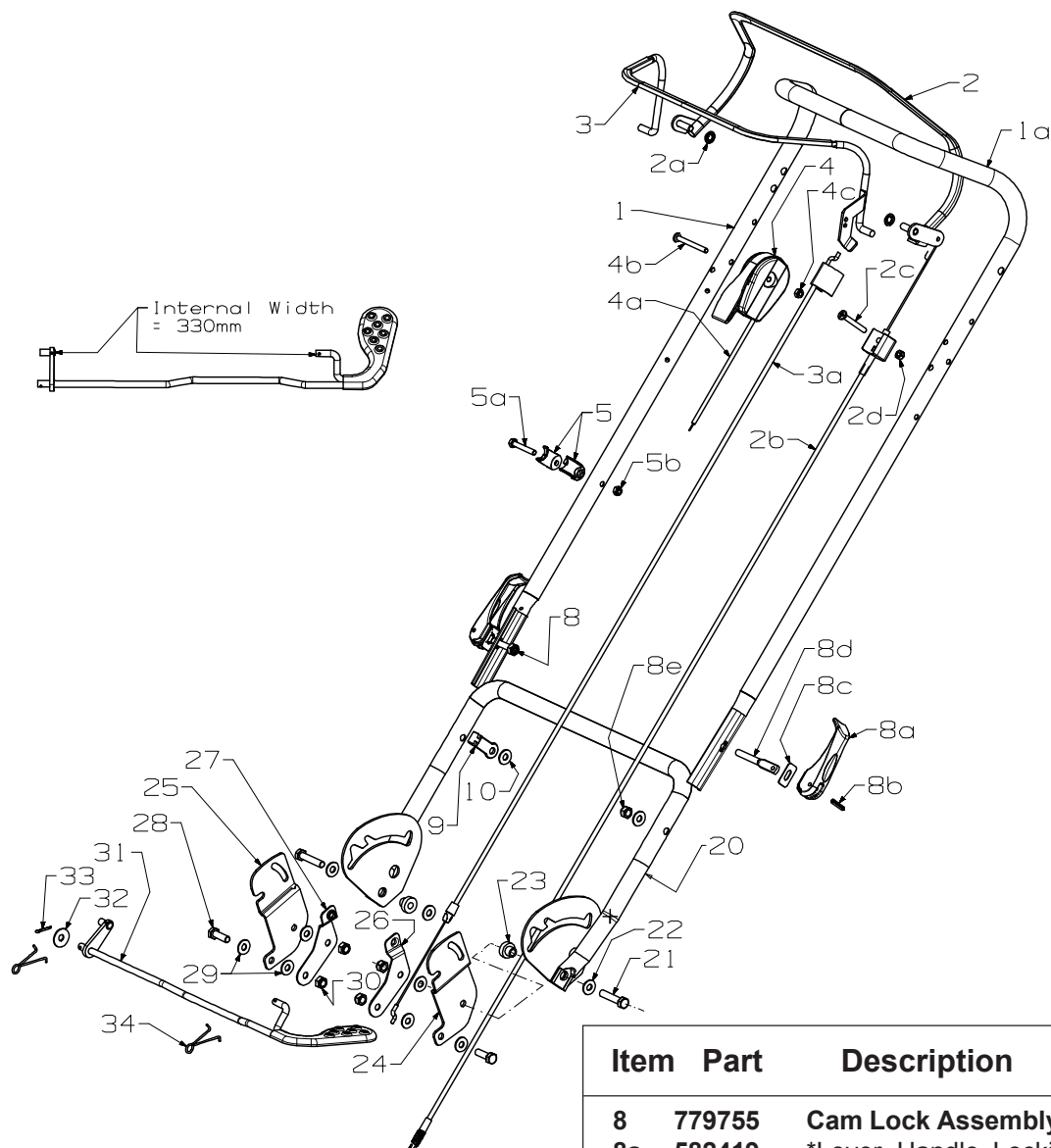
When ordering spares: PLEASE QUOTE PART NUMBER & Description, NOT Illustrated Number. Item Qty = 1 per part unless stated differently.
Bold Text = Assemblies. Text starting with * = Items included in the Assemblies & may not be available as a spares item.
 Determine the left hand or right hand sides by standing in the operating position (standing at the handle).



S19 600ST Combo SP

Masport

Issue A.1
ECN 03596
Jan 2018 PB
REF # 778963S



Item	Part	Description	Qty
8	779755	Cam Lock Assembly (1 per)	2
8a	582419	*Lever- Handle, Locking	1
8b	016777	*Washer, Slipper	1
8c	503369	*Pin, Tension 5.0 x 22	1
8d	583041	*Stud- Handle Lock, 61mm	1
8e	501793	*Nut, M8 Hex Nyloc x 8mm thick	1
9	581527	Retainer-Control Cable, Handle	1
10	501606	Washer, Flat 8 x 19 x 1.6	2
20	967366	Handle Assy- Lower, LFT Adj 19"	1
21	501716	Screw, Set M8 x 35 Hex	2
22	501606	Washer, Flt 8x19x1.6	3
23	567382	Spacer- Handle, Lower Lift	2
24	567369	Plate- Mount, Handle LH	1
25	567368	Plate- Mount, Handle RH	1
26	579209	Bracket- Flap, LH	1
27	579210	Bracket- Flap, RH	1
28	501598	Screw, Set M8 x 25 Hex	2
29	501606	Washer, Flt 8x19x1.6	6
30	501793	Nut, M8 Hex Nyloc 8 Thck	4
31	967383	Rod Assy Adj- Lower Lift	1
32	502149	Washer- Dished	1
33	501056	Pin, Cotter 2.3dia x 16	1
34	567381	Spring- Ergo Lift	2

Item	Part	Description	Qty
1/1a	783457	Handle & Sleeve OPC/SFT/BLK	1
2	982161	Bail Arm Assy, SP	1
2a	501365	Clip- Starlock, 5/16"	2
2b	582235	Cable- Clutch, Thumb Wheel	1
2c	503604	Screw, Pan M6 x 45	1
2d	501764	Nut, M6 Hex Nyloc x 6mm thick	1
3	981740	Bail Arm Assy, OPC	1
3a	581656	Cable- Engine OPC, Push On	1
4/4a	583458	Throttle Ctrl & Cable, Wescon	1
4b	503604	*Screw, Pan M6 x 45	1
4c	501764	*Nut, M6 Hex Nyloc x 6mm thick	1
5	703856	Comfort Start Kit	1
5a	503794	*Screw, Set M6 x 40	1
5b	501764	*Nut, M6 Hex Nyloc x 6mm thick	1

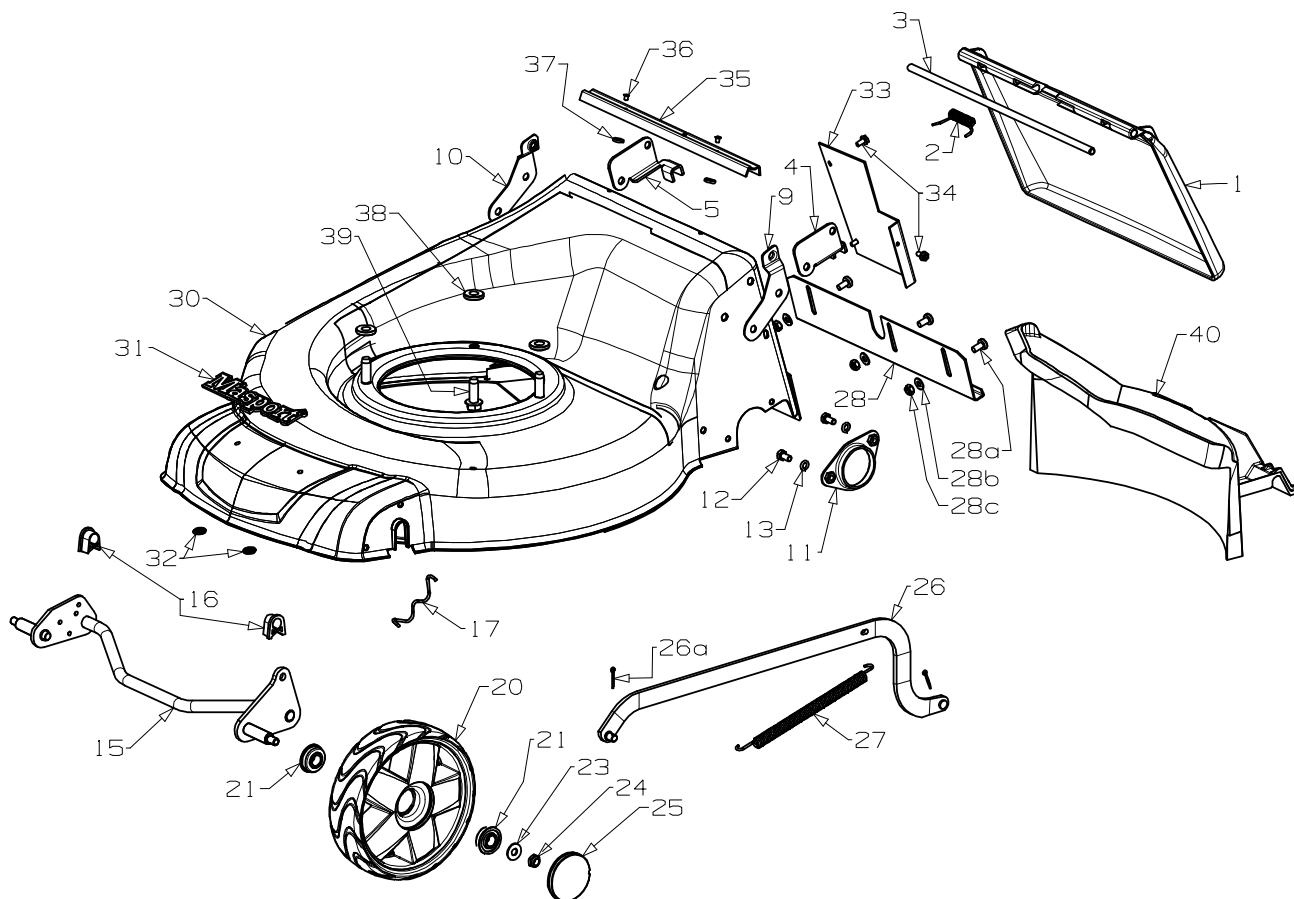
When ordering spares: PLEASE QUOTE PART NUMBER & Description, NOT Illustrated Number. Item Qty = 1 per part unless stated differently.
Bold Text = Assemblies. Text starting with * = Items included in the Assemblies & may not be available as a spares item.
 Determine the left hand or right hand sides by standing in the operating position (standing at the handle).



S19 600ST Combo SP

Masport

Issue A.1
ECN 03596
Jan 2018 PB
REF # 778963S

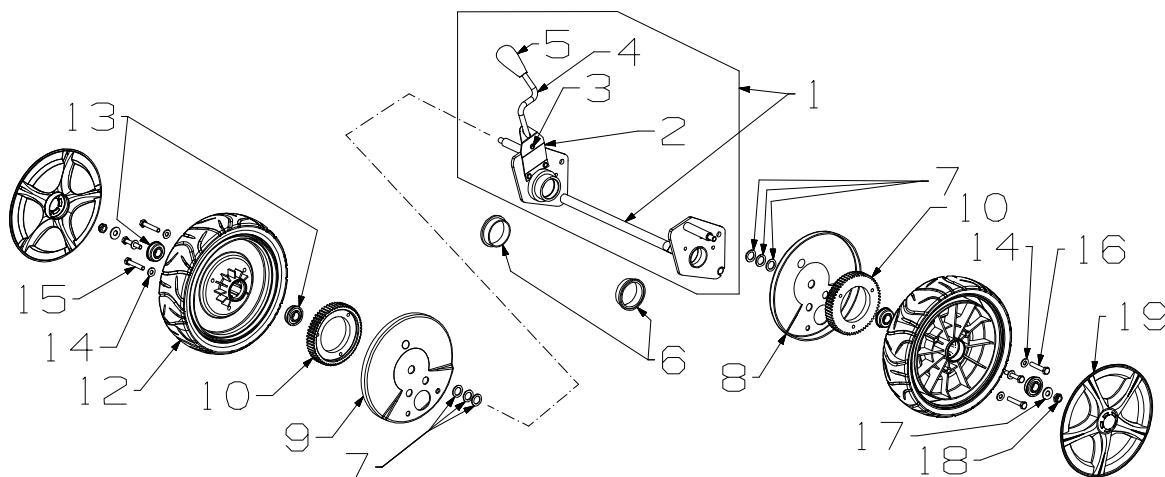


Item No	Part No	Description	Qty	Item No	Part No	Description	Qty
1	579056	Flap- Mower, 19"/21"	1	26	573498	Rod Assy-Connecting, 19" ST SP	1
2	579213	Spring-Flap 19" ST Deck	1	26a	501056	Pin, Cotter 2.3dia x 16	2
3	583312	Wire-Flap Pivot 8mm x 325mm	1	27	580621	Spring-Counter Balance, SP	1
4	573435	Bracket- LH 19" ST Aero	1	28	571048	Hook 19" Aero Catcher	1
5	573436	Bracket- RH 19" ST Aero	1	28a	503591	Screw, Pan M6 x 12	3
9	579209	Bracket- Flap, LH 19"	1	28b	501703	Washer; Flat 6 x 14 x 1.2	3
10	579210	Bracket- Flap, RH 19"	1	28c	501764	Nut, M6 Hex Nyloc x 6mm thick	3
11	581178	Retainer-Axle, Rear, 600 SP	2	30	773397	Housing- St119" XFQ COSP TTNM	1
12	501959	Screw, Set M6 x 12 Hex	4	31	581240	MASPORT- Nameplate	1
13	500201	Washer, Spring 6	4	32	503150	Clip- Starlock, 5mm dia	2
15	983247	Axle-Front, 175mm	1	33	573578	Tunnel- Gbox Cover 19" ST Aero	1
16	580030	Bush-Pivot, Front Axle	2	34	503630	Screw, S/Tapping 10 x 0.4	3
17	529674	Retainer-Axle W, Front	2	35	579211	Dust Seal- Flap 19"	1
20	579196	Wheel-175mm Spoked Silver (Includes 2 x 551212 per wheel)	2	36	581369	Rivet- Pop 4.0 x 3.2 73SS5-2	2
21	551212	Bearing- Wheel	4	37	502170	Washer, Nylon 5 x 12 x 2.0	2
23	501606	Washer, Flat 8 x 19 x 1.6	2	38	573585	Spacer- Blade Driver 22 x 4	3
24	503831	Nut, M8 Hex Nyloc x 6 mm thick	2	39	580453	Screw, S/T 3/8"x1-1/8" UNC	3
25	579198	Hub Cap, Button Spoked Silver	2	40	579130	Insert- Mulching, 19" ST SP	1

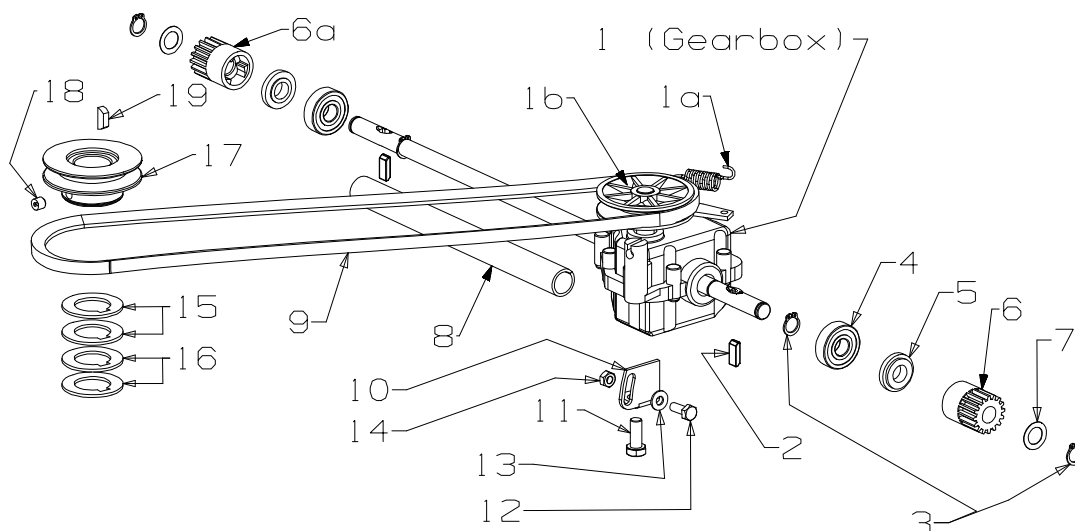
When ordering spares: PLEASE QUOTE PART NUMBER & Description, NOT Illustrated Number. Item Qty = 1 per part unless stated differently.
Bold Text = Assemblies. Text starting with * = Items included in the Assemblies & may not be available as a spares item.
 Determine the left hand or right hand sides by standing in the operating position (standing at the handle).



S19 600ST Combo SP



Item No	Part No	Description	Qty	Item No	Part No	Description	Qty
1	773417	Axle Assy- Rear Complete, SP	1	10	569180	Gear- Driving, 45 Teeth	2
2	580649	*Spring, Leaf	1	12	579070	Wheel Assy- 220mm MSV SP Blk (Includes 2 x 551212 per wheel)	2
3	503373	*Rivet-F/HD 3/16x27/64	3	13	551212	Bearing Ball	4
4	983329	*Rod, Height Selector 19"	1	14	501703	Washer, Flat 6 x 14 x 1.2	6
5	581729	*Grip, Height Lever	1	15	501815	Screw, Set M6 x 35	3
6	580091	Bush- Pivot, Rear Axle	2	16	501815	Screw, Set M6 x 35	3
7	503301	Washer, Flat 1/2x3/4x18G	6	17	501606	Washer, Flat 8 x 19 x 1.6	2
8	579426	Dust, Cover RH + LH	1	18	503831	Nut, M8 Hex Nyloc x 6mm thick	2
9	579426	Dust, Cover RH + LH	1	19	579207	Hub Cap, 220mm dia MSV Silver	2



Item No	Part No	Description	Qty	Item No	Part No	Description	Qty
1	583487	Gear Box, Single Speed 19"	1	9	573884	Belt-V HC VEXTRA XPZ 760 Gates	1
1a	(501355)	Spring- Clutch,G/Box, S/Speed 19"	1	10	573593	Mount, Gearbox 19" ST SP	1
1b	(783249)	Pulley-G/Box, S/Speed 19"	1	11	501863	Screw, Set M8 x 12	1
2	581092	Pawl, Pinion 950 SP	2	12	501702	Screw, Set M6 x 16	1
3	503759	Circlip, 12 EXT DIN 471	4	13	501703	Washer, Flat 6 x 14 x 1.2	1
4	501213	Bearing, 12x32x10 6201 2RS	2	14	503973	Nut, M6 Hex Nyloc Flange	1
5	581093	Cap, Pinion 950 SP Plastic	2	15	569552	Spacer- Pulley, Eng 25 x 42 x 2	2
6	569178	Pinion, LH 12 Teeth	1	16	573024	Spacer- Pulley, Eng 25 x 42 x 1	2
6a	569179	Pinion, RH 12 Teeth	1	17	573554	Pulley- Engine, 25Bx68Dx28.5H	1
7	503102	Washer, Flat 12 x 20 x 0.4	2	18	503386	Screw, Grub M8 x 8	1
8	583563	Sleeve, Rear Axle MSV SP	1	19	503363	Key- W/Ruff 5/8x3/16x1/4	1

When ordering spares: PLEASE QUOTE PART NUMBER & Description, NOT Illustrated Number. Item Qty = 1 per part unless stated differently.
Bold Text = Assemblies. Text starting with * = Items included in the Assemblies & may not be available as a spares item.
 Determine the left hand or right hand sides by standing in the operating position (standing at the handle).